

FIRST COMMERCIAL LTD

LEADING SUPPLIER OF AUTOMOTIVE
PARTS TO THE WORLDWIDE MARKET



COMPANY PROFILE

First Commercial Ltd is a family owned company, with over 35 years in the automotive sector, specialising in the Bus and Coach sector.

We are now supplying the Truck and Trailer market.

We are an OE Supplier to a UK Vehicle Manufacturer.

We have added the products in this catalogue to our main range. The products include general LED lighting, LED lightbars/ beacons/ warning lamps, reverse alarms & buzzers, and horns.

All the supplies from the company are controlled ISO recognised standards to ensure the highest levels of commitment to quality, service and future development.

First Commercial Ltd's aim is provide our customers with unrivalled service and therefore, we are always happy to look at new projects that we can be of assistance with.

Telephone: 01254 433353

Email: sales.firstcom@gmail.com

'Quality parts at sensible prices'

INDEX

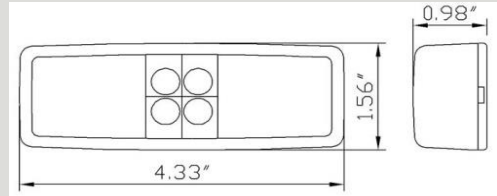
<u>GENERAL LED LIGHTING</u> <ul style="list-style-type: none">- Led Clearance Marker Lamps- Led Marker Lamps- Universal LED Position / Marker Lamps- LED Smart Load Resister- LED 95mm Lamps- LED 140mm Lamps- Outline Marker Lamps- LED Number Plate Lamps- LED Combi Lamp	4-13
<u>LED LIGHT BARS/ BEACONS/ WARNING LIGHTS</u> <ul style="list-style-type: none">- LED Warning Lamp- Beacon- Strobe Light	14
<u>REVERSE ALARMS & MINI BUZZERS</u>	15
<u>HORNS</u> <ul style="list-style-type: none">- 12v, 24v, 36v, 48v Disc Horn- 12v, 24v Shell Horn	16-17
<u>FUSE BOXES & FUSE BOXES FOR MINI FUSE</u> <ul style="list-style-type: none">- 4-way Fuse Box- 6-way Fuse Box- 10-way Fuse Box	18
<u>MAGNETIC SAFETY SWITCH & PLUG AND SOCKET</u>	19

Part numbers used for identification purpose only and do not imply or indicate the identity of a manufacturer.

General LED Lighting

L1490 SERIES

12/24v LED clearance marker lamps
 High impact acrylic lens
 ABS housing
 Waterproof
 ECE approved
 Size - 110 x 40 x 25mm



L1490A
 4 x Amber LEDs
 Side marker



L1490C
 4 x White LEDs
 Front Position



L1490R
 4 x Red LEDs

L1491 SERIES

12/24v LED clearance marker lamps
 with mounting bracket
 High impact acrylic lens
 ABS housing
 Waterproof



L1491A
 4 x Amber LEDs
 Side Marker



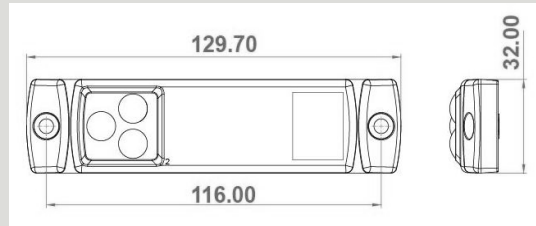
L1491C
 4 x White LEDs
 Front Position



L1491R
 4 x Red LEDs
 Rear Position

L176 SERIES

9-32v LED marker lamps with reflector
Low profile
Waterproof IP67 rating
Emarked
Size - 130 x 32 x 13mm



L176A
3 x Amber LEDs
Side Marker



L176R
3 x Red LEDs
Rear Position



L176C
3 x White LEDs
Front Position



L176MB
Mounting bracket for DGL176 SERIES
Size - 127 x 46mm



L192 SERIES

12/24v LED marker lamps
Waterproof IP67 rating
Emarked
Size - 114 x 41 x 11mm



L192A
2 x Amber LEDs
Side marker



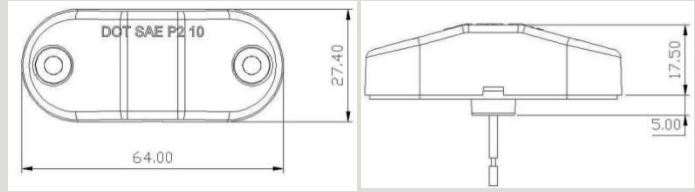
L192C
2 x White LEDs
Front position



L192R
2 x Red LEDs
Rear position

L500T SERIES

12/24v Universal LED position/marker lamps
Ideal for car/cv & motorhome applications
Waterproof
Size - 64 x 27 x 18mm



L505T
Amber Lens
2 x Amber LEDs



L505T/C
Clear Lens
2 x Amber LEDs



L506T
Red Lens
2 x Red LEDs



L507T
Clear Lens
2 x White LEDs



L508T
Blue Lens
2 x Blue LEDs



L509T
Green Lens
2 x Green LEDs

Plastic mounts/surrounds suitable for
DGL500T SERIES



L505B
Chromed



L505BB
Black

L700T SERIES

9-32 v LED position/marker lamps

Polycarbonate lens

With gasket and lead wire

Ideal for car/cv & motorhome applications

Waterproof & IP67 rating

Size - 64 x 27 x 18mm



L705T
Amber Lens
2 x Amber SMD LEDs
ECE approved



L707T
Clear Lens
2 x Clear SMD LEDs
ECE approved



L706T
Red Lens
2 x Red SMD LEDs
ECE approved



L708T
Blue Lens
2 x Blue SMD LEDs
ECE approved

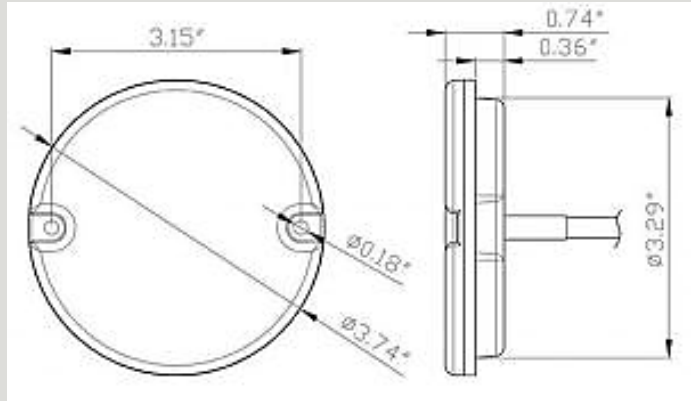


L709T
Green Lens
2 x Green SMD LEDs
ECE approved

LED950 SERIES

12/24v low profile LED 95mm lamps
 Waterproof IP67 rating
 Emarked
 Size - 95mm x 19mm

FLAT LENS



E

LED950DRL
 Daytime Running
 30 x White LEDs



E

LED950F
 Fog
 25 x Red LEDs



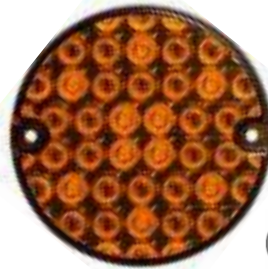
E

LED950FI
 Front Indicator
 24 x Amber LEDs



E

LED950DR
 Reverse
 24 x White LEDs



E

LED950RI
 Rear Indicator
 10 x Amber LEDs



E

LED950ST
 Stop/ Tail
 10 x Red LEDs



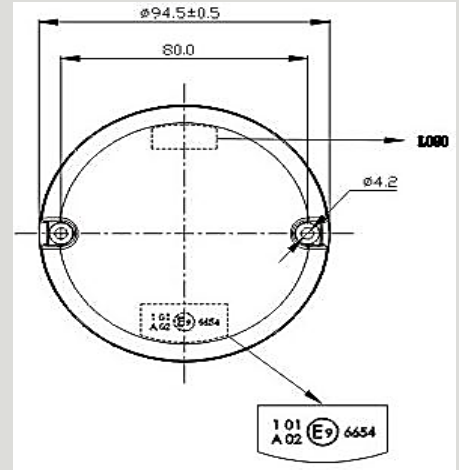
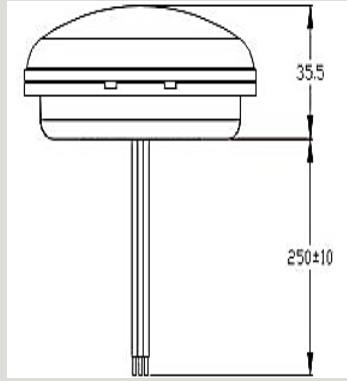
LED95RES
 12v Smart load resistor
 suitable for LED lamps
 DA1144 12v



LED95RES24
 24v Smart load resistor
 suitable for LED lamps
 DA1144 12v

LED95 SERIES

9-33v LED 95mm lamps
 Waterproof IP67 rating
 Emarked
 Size - 95mm x 35.5mm



LED95F
 Fog
 XFE500010LED



LED95F/C
 Fog
 Clear lens, Red LEDs
 XFE500010LEDCL
 LR008975



LED95I
 Indicator
 AMR6527LED



LED95I/C
 Indicator
 Clear lens, Amber LEDs
 AMR6527LEDCL



LED95R
 Reverse
 LR008982
 XFD500010LED



LED95PI/C
 Position/Indicator
 Clear lens
 Amber/White LEDs
 LR008975



LED95ST
 Stop/Tail
 AMR6526LED



LED95ST/C
 Stop/Tail
 Clear lens, Red LEDs
 LR008913
 AMR6526LEDCL



LED95STI/C
 Stop/tail/indicator
 Clear lens
 Red/Amber LEDs



Light base for DGLED95 series

LED140 SERIES

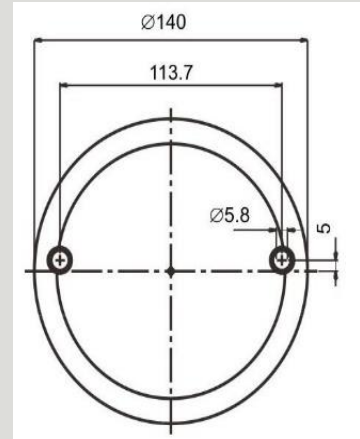
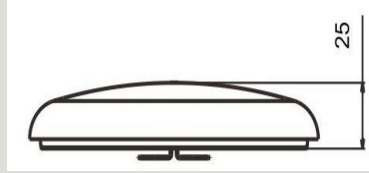
9-33v LED 140mm lamps

Slim flush mount

Waterproof IP67 rating

E marked

Size - 140mm x 30mm



LED140F/C

Fog

Clear lens, Red LEDs

E



LED140R

Reverse

Clear lens, White LEDs

E



LED140STI/C

Stop/tail/indicator

Red/Clear lens

Amber LEDs

E



LED140F

Fog

Red lens, Red LEDs

E



LED140STI

Stop/tail/indicator

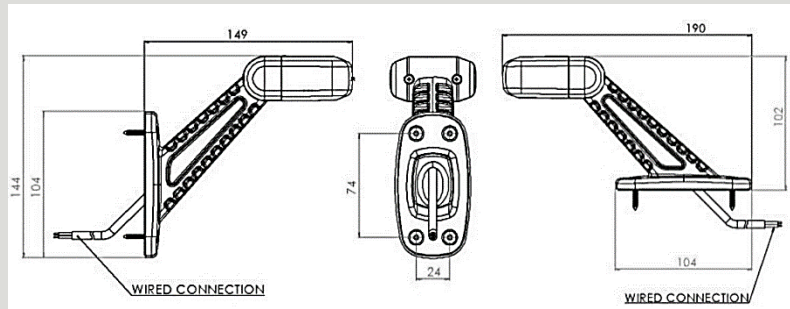
Red/Amber lens

Red/Amber LEDs

E

DGLS00 SERIES

10-30v LED outline marker lamps
 Robust EPDM rubber mounting
 Waterproof IP67 Rating
 ECE approved
 M3 bolt fixing



LS01
 LH
 Front/Rear
 Horizontal



LS02
 RH
 Front/Rear
 Horizontal



LS03
 LH
 Front/Rear/Side
 Horizontal



LS04
 RH
 Front/Rear/Side
 Horizontal



LS05
 LH
 Front/Rear
 Vertical



LS06
 RH
 Front/Rear
 Vertical



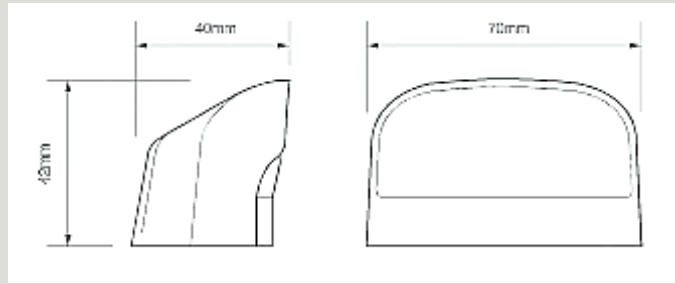
LS07
 LH
 Front/Rear/Side
 Vertical



LS08
 RH
 Front/Rear/Side
 Vertical

LNP03

10-30v LED number plate lamp
4 x super bright SMD LEDs
1w power consumption
Waterproof IP67 rating
ECE approved
Replaces LPB750

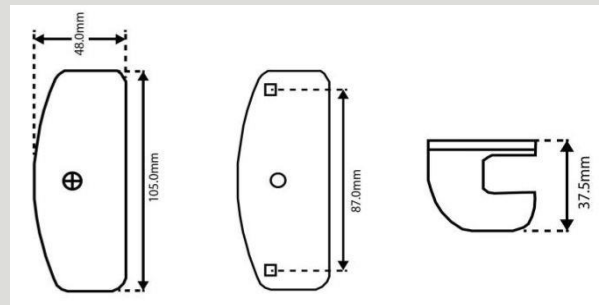


LNP03

LED Number Plate Lamp
Size - 70 x 40 x 42mm

LNP04

9-33v LED number plate lamp
0.5w power consumption
Waterproof IP67 rating
ECE approved
Replaces XFC100550LED



LNP04

LED Number Plate Lamp
Size - 105 x 48 x 37.5 mm

L150STI

12/24v LED compact combination lamp

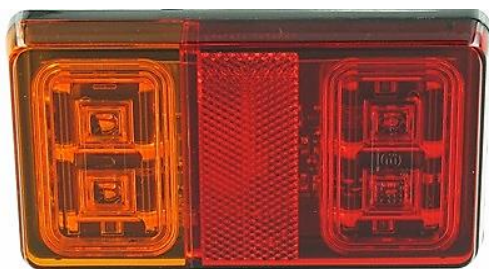
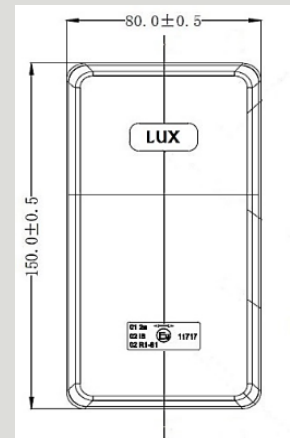
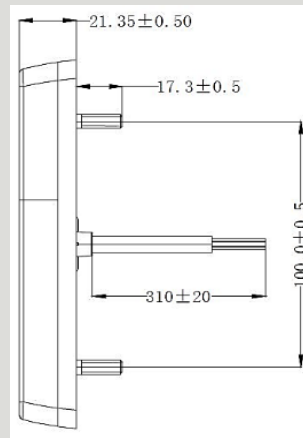
Stop/Tail/Indicator/Reflector

Waterproof IP68 rating

ECE Approval

Current Amp - Stop: 0.15, Tail: 0.025, I: 0.1

Size - 150 x 21 x 80mm



E

L150STI

12/24V LED Combination Lamp

Stop/ Tail/ Indicator/ Reflector

Size - 150 x 21 x 80 mm

LED Light Bars / Beacons/ Warning Lights

L400 SERIES 9-32v

9-32v ultra slim LED warning lamp
6 x 3w Amber LEDs
19 x flash patterns
(4 patterns for ECE R65)
ECE R65, ECE R10
Self-adhesive pad or screw mount

L400

Ultra Slim Led Warning Lamp
Amber LEDs
Size - 130.8 x 30 x 7.4 mm



500 SERIES

12-110v, strobe lights
60+/-10 flashes per minute
300mA on 12v systems
35mA on 110v systems
2 joule
E13 CE approved



538A

Size - 130 x 85 x 93mm



4390 SERIES

12/24v, 5w strobe lights
CE approval
IP67 Rating
Sync facility, single flash
Size - 76 x 51mm



4391
Clear lens



4392
Amber lens



4393
Red lens



4394
Blue lens



4395
Green lens



Reverse Alarms & Mini Buzzer

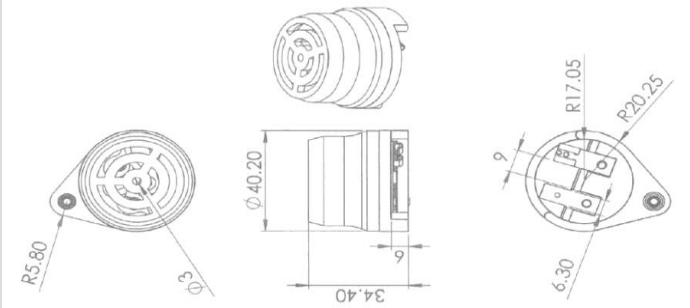
RA1

12-48V HEAVY DUTY ALARM
97dB wire version
IP67 Rating & CE approval
Lucas LBR100/102/110/127 type
Size - 102 x 41 70mm



Mini buzzers

Two terminal
Single hole fixing
+90dB

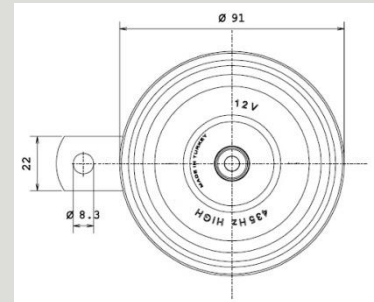
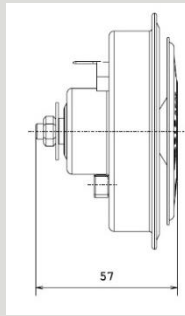
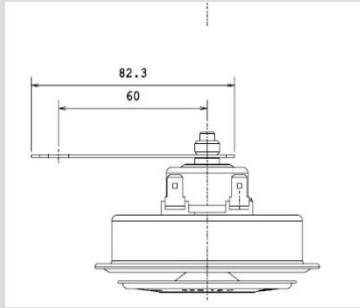


MB12
12v



MB24
24v

Horns



D1H12
12v single terminal disc horn
High tone
Lucas SHB120 type
Emarked
PRC2057



D1L12
12v single terminal disc horn
Low tone
Emarked



D2H12
12v twin terminal disc horn
High tone
Lucas SHB134, RTC6459
Emarked



D2L12
12v twin terminal disc horn
Low tone
Emarked



D2H24
24v twin terminal disc horn
High tone



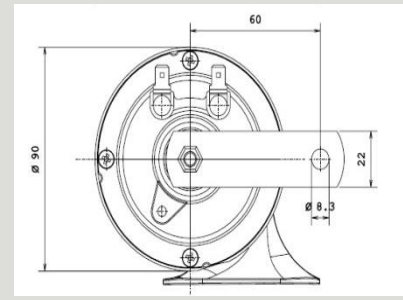
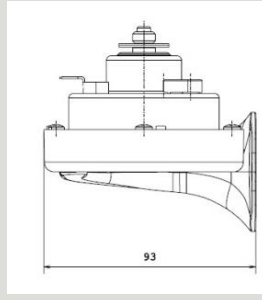
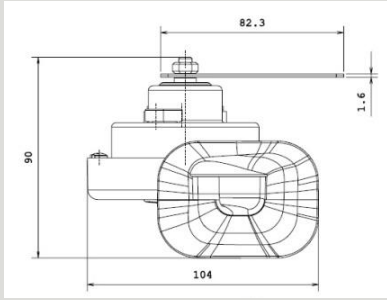
D2L24
24v twin terminal disc horn
Low tone



D2H36
36v twin terminal disc horn
High tone



D2H48
48v twin terminal disc horn
High tone



S1H12
12v single terminal shell horn
High tone
Emarked
GGE101



S1L12
12v single terminal shell horn
Low tone
Emarked
GGE102



S2H12
12v twin terminal shell horn
High tone
Lucas SHB123 type
Emarked
STC4408



S2L12
12v twin terminal shell horn
Low tone
Lucas SHB122 type
Emarked



S2H24
24v twin terminal shell horn
High tone
Lucas SHB127 type



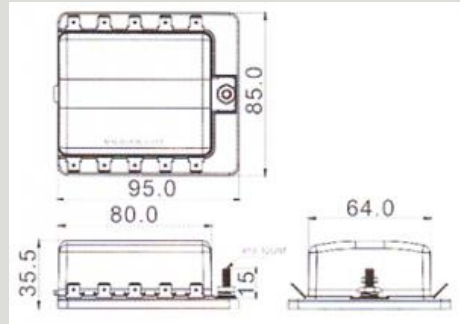
S2L24
24v twin terminal shell horn
Low tone
Lucas SHB126 type

Fuse Boxes

LED Warning, Blade Fuse Boxes

Input: 100A max

Output: 30A max per circuit



LFB4
4 position



LFB6
6 position



LFB10
10 position

LED Warning, Blade Fuse Boxes for Mini Fuse

Input: 100A max

Output: 30A max per circuit



LMFB4
4 position



LMFB6
6 position



LMFB10
10 position

419/195 - 'Littelfuse'
0FHA0002ZXJ
30A Inline Fuse Holder 32V dc



Magnetic Safety Switch

MS-BD010-0.3M

Safety Switch & Actuator

Proximity Switch

1x N/O, DC, 0.3M Cable pre-wired

24Vdc/ 500mA

IP67 / IP69K

Suitable for use in wet or dusty environments

Other safety switches are available.



Plug & Socket



DGTP01
12v 7 Pin Plastic Plug



DGTS01
12v 7 Plastic Socket

‘Quality parts at sensible prices’



FIRST COMMERCIAL LTD

Unit 2 Hulme Court, Commercial Road,
Darwen, Lancashire.
BB3 0FE, England

Telephone: 01254 433353

Email: sales.firstcom@gmail.com

Website: www.firstcomltd.co.uk